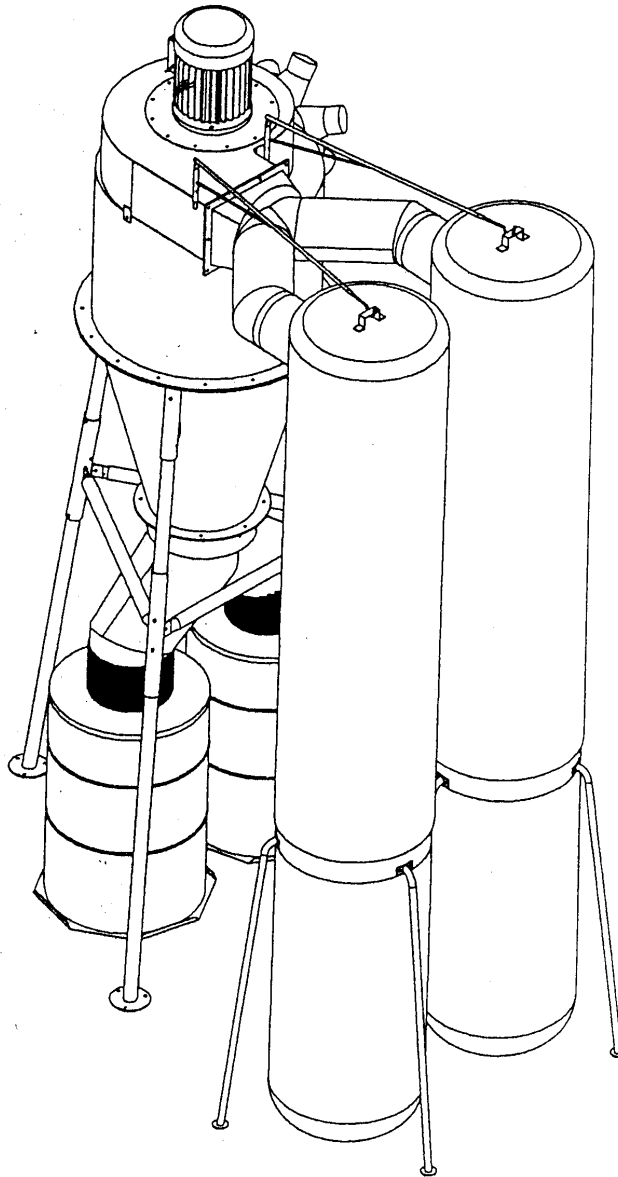


# OPERATING MANUAL & PARTS LIST

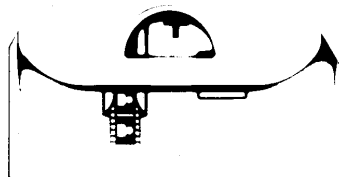


## WARNING :

The operator must thoroughly read and understand this manual before operating the downdraft table or commencing any servicing. Care should be taken to follow all safety rules and warning instructions.



READ THIS MANUAL CAREFULLY BEFORE ASSEMBLY , TESTING & OPERATING



# CONTENTS

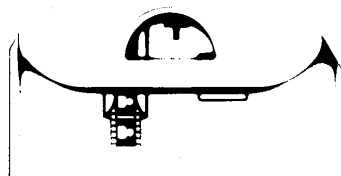
SPECIFICATION-----	2
UNPACKING AND CHECKING CONTENTS-----	3
ASSEMBLY INSTRUCTION-----	4~7
IMPORTANT SAFETY RULES-----	8~9
GROUNDING-----	10
EXPLODED DIAGRAM-----	11
PART LIST-----	12~13

- **WARNING!**

Please read this manual carefully before assembly, testing and operating.

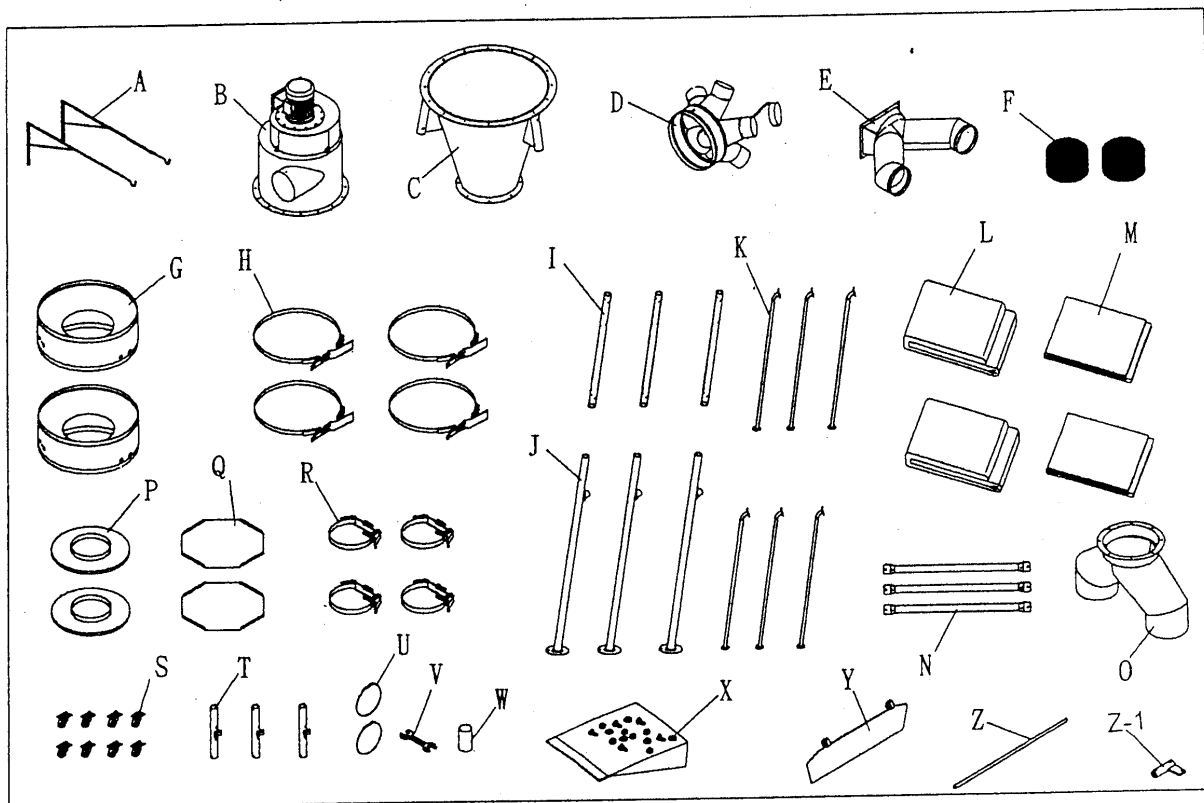
- **WARNING!**

Do not operate this unit until the PVC hose is installed onto the dust inlet port.

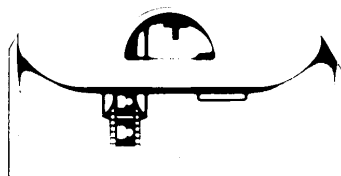


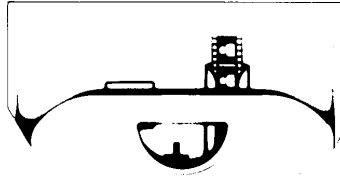
# UNPACKING AND CHECKING CONTENTS

After all the parts have been removed from the carton as shown, you should have:



- |                                       |   |
|---------------------------------------|---|
| A. Hanger                             | O. 2 Hole Outlet for Reducing Collector |
| B. Collector Support Frame with Motor | P. Drum Inlet Cover                     |
| C. Reducing Collector Support Frame   | Q. Base                                 |
| D. Inlet                              | R. Hose Clamp 12-1/2"                   |
| E. 2 Hole Inlet                       | S. Caster                               |
| F. Hose 12" x 11-3/4"L                | T. Connecting Tube                      |
| G. Collector                          | U. Belt Clamp 9"                        |
| H. Belt Clamp                         | V. Open End Wrench 10 x 12mm            |
| I. Upper Supporting Leg               | W. Tube 1/4"                            |
| J. Lower Supporting Leg               | X. Hardware Bag                         |
| K. Collector Supporter                | Y. Adjusted Board                       |
| L. Filter Bag                         | Z. Adjusted Board Spindle               |
| M. Collecting Bag                     | Z-1. Swing Spindle                      |
| N. Stiffener                          |   |





## SPECIFICATIONS

MOTOR-----	10 HP
SUCTION CAPACITY-----	6400 CFM
STATIC PRESSURE-----	22 INCH OF WATER
IMPELLER SIZE-----	16"
INLET SIZE-----	13"
BAG SIZE-----	98-3/4" x 23-5/8"
BAG CAPACITY-----	100 GALLON
OVERALL DIMENSIONS OF BASE-----	110" x 98"
HEIGHT WITH BAG INFLATED-----	161"
N.W.-----	260 KGS
G.W.-----	343 KGS
CUFT-----	107'

# ASSEMBLY INSTRUCTION

## Step 1

Assemble the upper and lower supporting leg with connecting tube by using hex. head screw 5/16" x 1/2" (P/No.16). Please see figure 1.

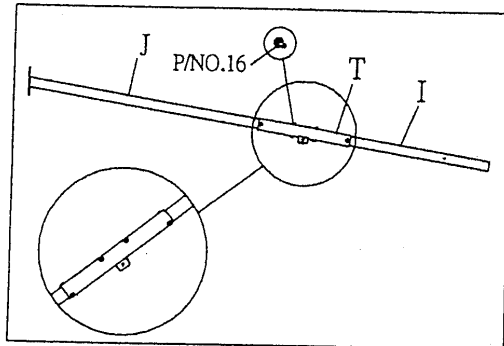


FIG. 1

## Step 2

Place the support frame upside down as illustrated in figure 2. Insert 3 pieces of supporting leg into Reducing Collector Support Frame (C) by using hex. head screw 5/16" x 1/2". Please see figure 2 and 3.

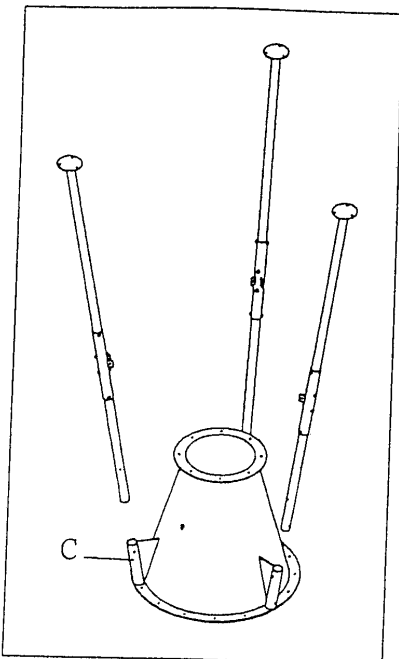


FIG. 2

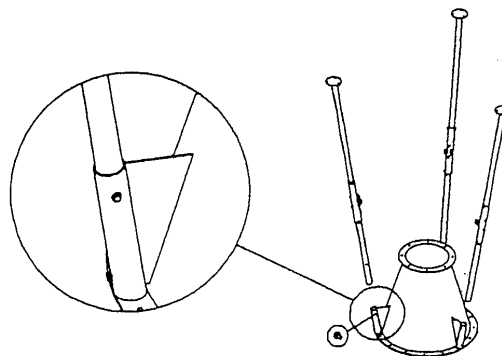
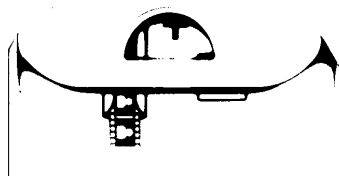
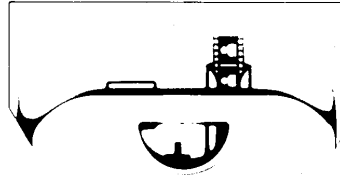


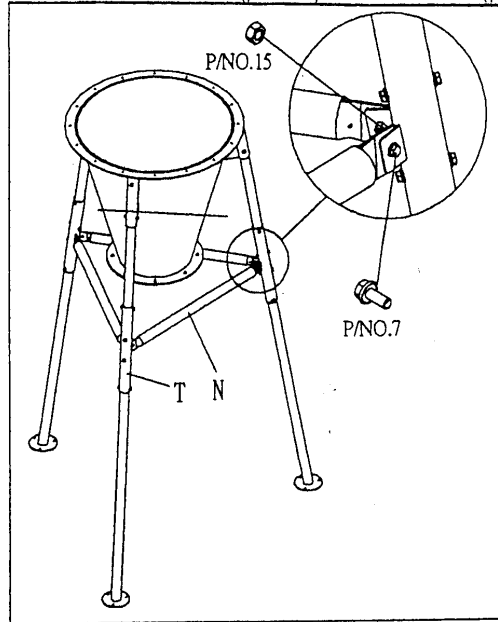
FIG. 3





**Step 3**

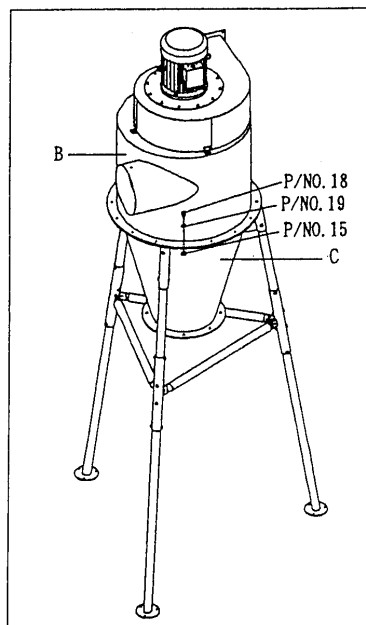
Connect the supporting leg with stiffener (N) at the side of Connecting Tube (T) by using hex. head screw 5/16" x 3/4" (p/no.7) and nut 5/16" (p/no.15).



**FIG. 4**

**Step 4**

Stand up the supporting leg and place the Collector Support Frame with Motor (B) on the top of reducing collector support Frame (C) by using hex. head screw 5/16" x 1" and washer 5/16" x 18mm and nut 5/16". Make sure all the screw is locked tightly.



**FIG. 5**

### Step 5

Insert the Inlet (D) into the outlet of Collector support Frame with Motor (B) by using round head screw 3/16" x 3/8" (p/no.36) and tight it up.

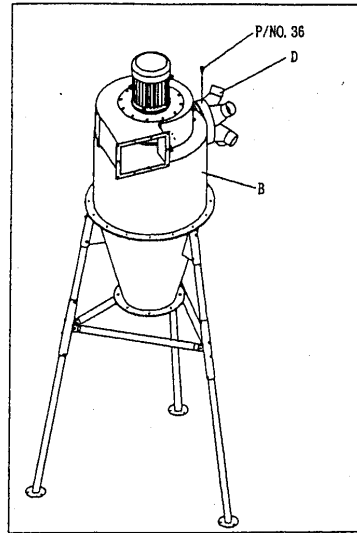


FIG. 6

### Step 6

Mount the 2 hole outlet (O) at the bottom of reducing collector support frame (C) by using the hex. head screw 5/16" x 1"(P/NO. 18), Washer 5/16" x 18mm(P/NO. 19), and Hex Nut 5/16"(P/NO.15). Then, roll screws together by following in turn of Wing Head Screw M8 x 65(P/NO.58), Nut M8(P/NO.59), Flat Washer 8.2 x 18(P/NO.61), and Comprqssion Spring (P/NO.62) on the position as FIG. 7. And the completed assembly as FIG. 8.

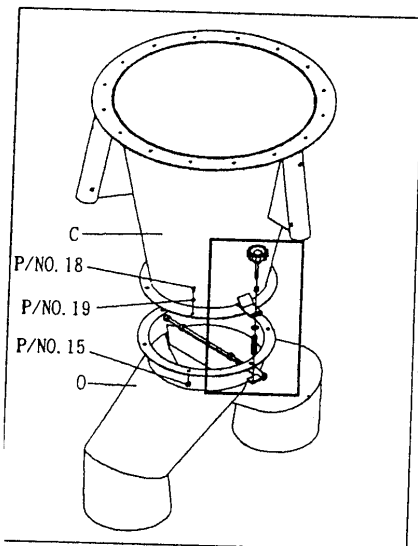


FIG. 7

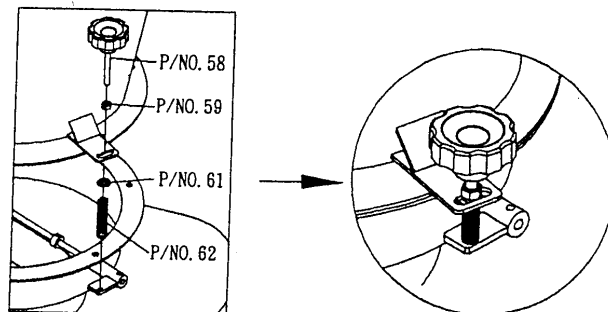
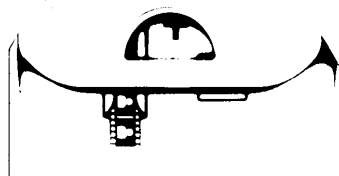


FIG. 8



**Step 7**

Insert the 2 hole inlet for reducing collector (O) at the bottom of reducing collector support frame (C ) by using hex. head screw 5/16" x 1/2" (p/no.16). Then place the hose (F) at both 2 hold inlet and connect with the drum cover. Please see the figure 9.

Hang on the Filter bag(L) on the hanger (A) and clamp it the bag clamp (U). Mount the plastic bag (M) and filter bag (L) at the collector (G) by using the bag clamp (U). Fixing the collector supporter (K) on the each side of collector (G). Now your two stage dust cyclone is completed assembly as picture showing.

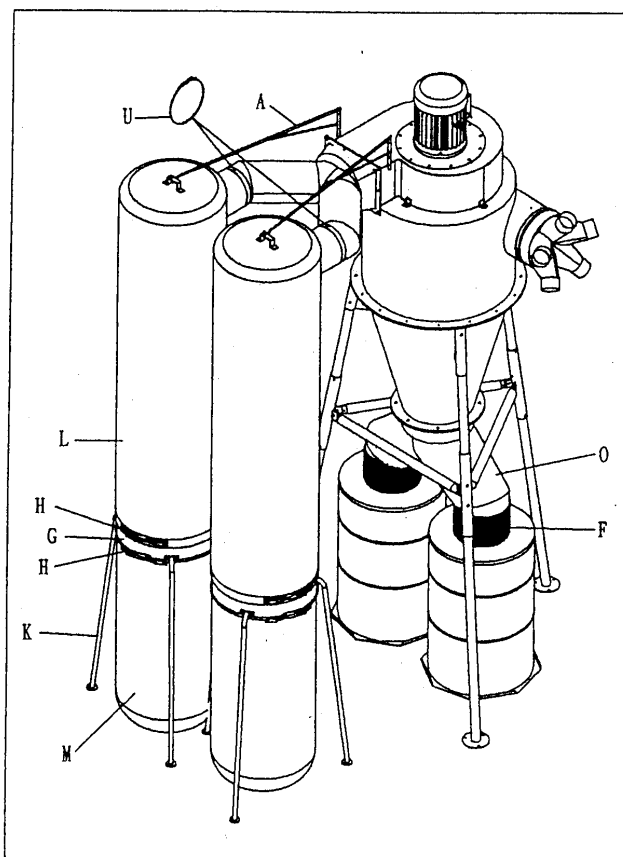
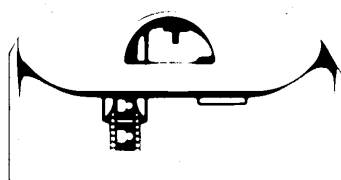


FIG. 7

7





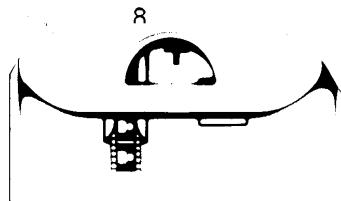
# IMPORTANT SAFETY RULES

Woodworking can be dangerous if safe and proper operating procedures are not followed. As with all machinery, there are certain hazards involved with the operation of the product. Using the machine with respect and caution will considerably lessen the possibility of personal injury. However, if normal safety precautions are overlooked or ignored, personal injury to the operator may result.

Safety equipment such as guards, push sticks, hold-downs, featherboards, goggles, dust masks and hearing protection can reduce your potential for injury. But even the best guard won't make up for poor judgment, carelessness or inattention. Always use common sense and exercise caution in the workshop. If a procedure feels dangerous, don't try it. Figure out an alternative procedure that feels safer. REMEMBER: Your personal safety is your responsibility.

## WARNING: FAILURE TO FOLLOW THESE RULES MAY RESULT IN SERIOUS PERSONAL INJURY

1. FOR YOUR OWN SAFETY, READ INSTRUCTION MANUAL BEFORE OPERATING THE TOOL. Learn the tool's application and limitations as well as the specific hazards peculiar to it.
2. KEEP GUARDS IN PLACE and in working order.
3. ALWAYS WEAR EYE PROTECTION.
4. GROUND ALL TOOLS. If tool is equipped with three-prong plug, it should be plugged into a three-hole electrical receptacle. If an adapter is used to accommodate a two-prong receptacle, the adapter lug must be attached to a known ground. Never remove the third prong.
5. REMOVE ADJUSTING KEYS AND WRENCHES. Form habit of checking to see that keys and adjusting wrenches are removed from tool before turning it "on".
6. KEEP WORK AREA CLEAN. Cluttered areas and benches invite accidents.
7. DON'T USE IN DANGEROUS ENVIRONMENT. Don't use power tools in damp or wet locations, or expose them to rain. Keep work area well-lighted.
8. KEEP CHILDREN AND VISITORS AWAY. All children and visitors should be kept a safe distance from work area.
9. MAKE WORKSHOP CHILDPROOF - with padlocks, master switches, or by removing starter keys.
10. DON'T FORCE TOOL. It will do the job better and be safer at the rate for which it was designed.
11. USE RIGHT TOOL. Don't force tool or attachment to do a job for which it was not designed.
12. WEAR PROPER APPAREL. No loose clothing, gloves, neckties, rings, bracelets, or other jewelry to get caught in moving parts. Non-slip footwear is recommended. Wear protective hair covering to contain long hair.
13. ALWAYS USE SAFETY GLASSES. Wear safety glasses. Everyday eyeglasses only have impact resistant lenses; they are not safety glasses. Also use face or dust mask if cutting operation is dusty.
14. SECURE WORK. Use clamps or a vise to hold work when practical. It's safer than using your hand and frees both hands to operate tool.
15. DON'T OVERREACH. Keep proper footing and balance at all times.
16. MAINTAIN TOOLS IN TOP CONDITION. Keep tools sharp and clean for best and safest performance. Follow instructions for lubricating and changing accessories.
17. DISCONNECT TOOLS before servicing and when changing accessories such as blades, bits, cutters, etc.
18. USE RECOMMENDED ACCESSORIES. The use of accessories and attachments not recommended by us may cause hazards or risk of injury to persons.
19. REDUCE THE RISK OF UNINTENTIONAL STARTING. Make sure switch is in "OFF" position before plugging in power cord.
20. NEVER STAND ON TOOL. Serious injury could occur if the tool is tipped or if the cutting tool is accidentally contacted.
21. CHECK DAMAGED PARTS. Before further use of the tool, a guard or other part that is damaged should be carefully checked to ensure that it will operate properly and perform its intended function - check for alignment of moving parts, binding of moving parts, breakage of parts, mounting, and any other conditions that may affect its operation. A guard or other part that is damaged should be properly repaired or replaced.
22. DIRECTION OF FEED. Feed work into a blade or cutter against the direction of rotation of the blade or cutter only.
23. NEVER LEAVE TOOL RUNNING UNATTENDED. TURN POWER OFF. Don't leave tool until it comes to a complete stop.
24. DRUGS, ALCOHOL, MEDICATION. Do not operate tool while under the influence of drugs, alcohol or any medication.
25. MAKE SURE TOOL IS DISCONNECTED FROM POWER SUPPLY while motor is being mounted, connected or reconnected.
26. WARNING: The dust generated by certain woods and wood products can be injurious to your health. Always operate machinery in well ventilated areas and provide for proper dust removal. Use wood dust collection systems whenever possible.

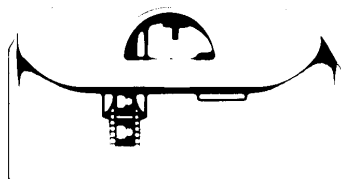


# IMPORTANT SAFETY RULES FOR DUST COLLECTORS

**WARNING :** Basic precautions should always be followed when using your dust collector. To reduce the risk of injury, electrical shock or fire, comply with the safety rules listed below:

1. READ and understand the instruction manual before operating the dust collector.
2. DO NOT leave the dust collector plugged into the electrical outlet. Unplug dust collector from the outlet when not in use and before servicing, changing bags, unclogging and cleaning.
3. ALWAYS turn the power switch " OFF " before unplugging the dust collector.
4. **WARNING: TO REDUCE THE RISK OF ELECTRICAL SHOCK** do not use outdoors or on wet surfaces. Use for dry pickup only!
5. FOLLOW all electrical and safety codes, including the national Electric Code (NEC) and the Occupational Safety and Health Regulations (OSHA). All electrical connections and wiring should be made by qualified personnel only.
6. DO NOT use the dust collector to pick up flammable or combustible liquids, such as gasoline. NEVER use the dust collector near any flammable or combustible liquids.
7. USE the dust collector to pick up wood materials only. DO NOT use the dust collector to pick up metal shavings, dust, water, or parts.
8. NEVER use the dust collector to dissipate fumes or smoke. NEVER pick-up anything that is burning or smoking, such as cigarettes, matches or hot ashes.
9. USE only as described in this manual.
10. DO NOT pull the dust collector by the power cord. NEVER allow the power cord to come in contact with sharp edges, hot surfaces, oil or grease.
11. DO NOT unplug the dust collector by pulling on the power cord. ALWAYS grasp the plug, not the cord.
12. DO NOT handle the plug or dust collector with wet hands.
13. REPLACE a damaged cord immediately. DO NOT use a damaged cord or plug. If the dust collector is not operating properly, or has been damaged, left outdoors or has been in contact with water, return it to an Authorized Service Center for service.
14. DO NOT use the dust collector as a toy. DO NOT use near or around children.
15. DO NOT insert fingers or foreign objects into the dust intake ports. Keep hair, loose clothing, fingers, and all body parts away from openings and moving parts of the dust collector.
16. DO NOT use the dust collector without the filter bag and dust collection bag in place and properly secured.
17. DO NOT operate the dust collector with unused dust intake ports uncapped. ALWAYS cover exposed dust intake ports.
18. PERIODICALLY INSPECT dust and filter bags for any cuts, rips or tears. NEVER operate the dust collector with a damaged bag or vacuum hose.
19. The dust collector is designed for home use or light commercial duty ONLY!
20. CONNECT dust collector to a properly grounded outlet only. See grounding instruction.

**SAVE THESE INSTRUCTIONS**



## GROUNDING INSTRUCTIONS

The appliance must be grounded, if it should malfunction or breakdown, grounding provides a path of least resistance for electric current to reduce the risk of electric shock. This appliance is equipped with a cord having equipment –ground conductor and grounding plug. The plug must be inserted into an appropriate outlet that is properly installed and grounded in accordance with all local codes and ordinances.

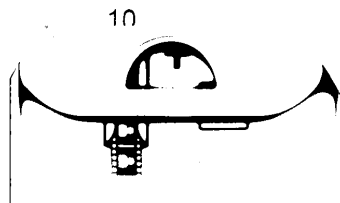
**WARNING**-Improper connection of the equipment-grounding conductor can result in a risk of electric shock. Check with a qualified electrician or service person if you are in doubt as to whether the outlet is properly grounded. Do not modify the plug provided with the appliance – if it will not fit the outlet; have a proper outlet installed by a qualified electrician

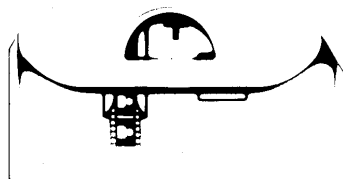
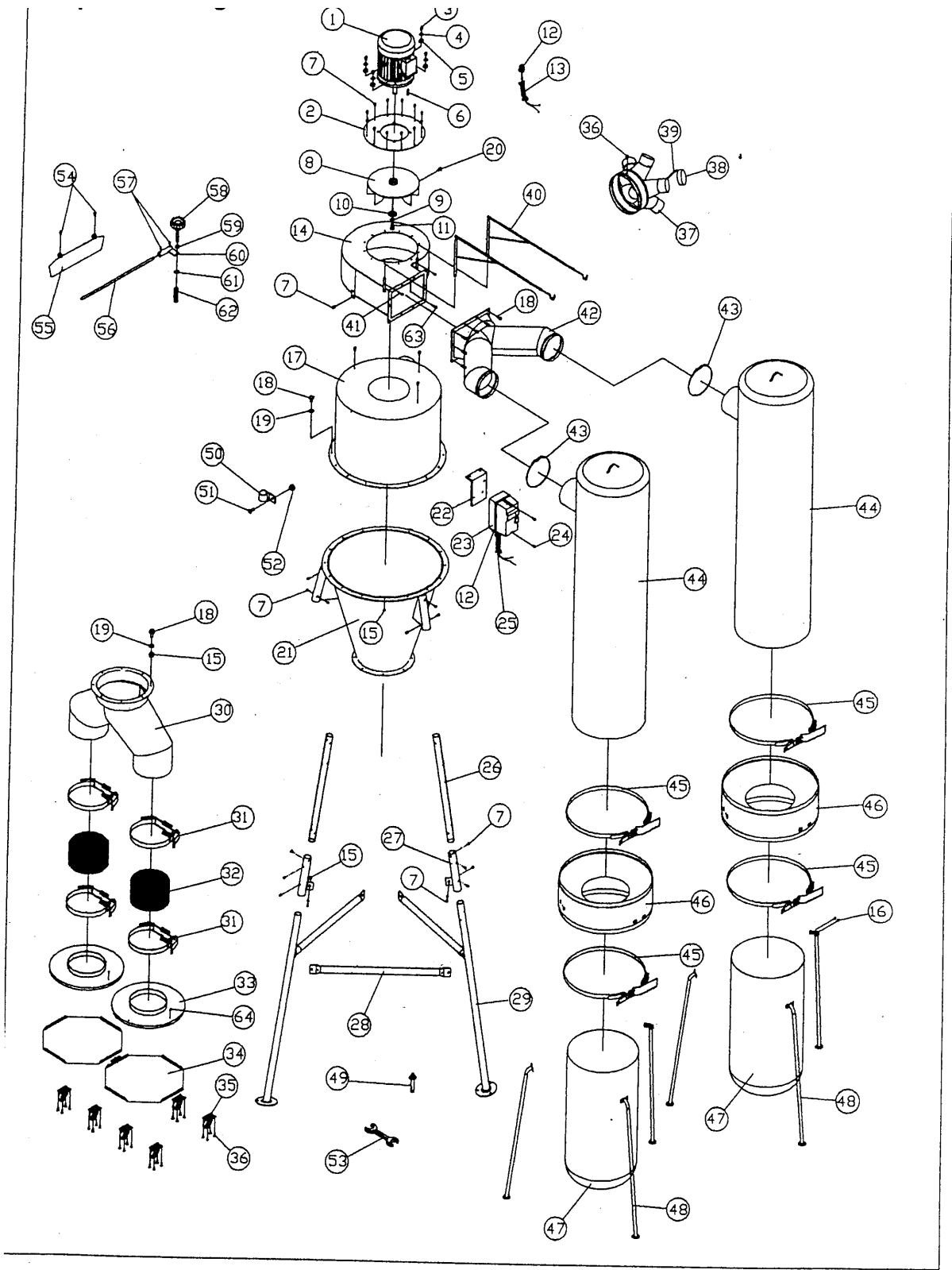
### **For grounded, cord-connected appliances:**

This appliance is for use on a circuit having a nominal rating more than 120 volt and is factory-equipped with a specific electric cord and plug to permit connection to a proper electric circuit. Make sure that the appliance is connected to an outlet having the same configuration as the plug. No adaptor should be used with this appliance. If the appliance must be reconnected for use on a different type of electric circuit, the reconnection should be made by qualified service personnel.

### **For a permanently connected appliance:**

This appliance must be connected to a grounded metal, permanent wiring system; or an equipment-grounding conductor must be run with the circuit conductors and connected to the equipment grounding terminal or lead on the appliance.

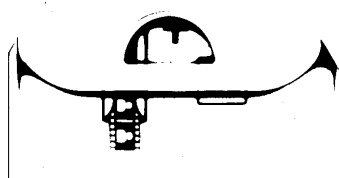




## 10HP DUST CYCLONE PART LIST

No.	Description	Specification	Q'ty
1	Motor		1
2	Motor Plate		1
3	Hex. Head Screw	1/2" x 1-1/2"	4
4	Spring Washer	1/2"	4
5	Nut	1/2"	4
6	Key	10 x 8 x 56	1
7	Hex. Head Screw	5/16" x 3/4"	55
8	Impeller	φ16" x 38-S	1
9	Flat Washer	φ 12.2 x 60 x 3	1
10	Washer	3/8" x 23	1
11	Socket Screw	3/8" x 3/4"	1
12	PG Bushing	PG-25	3
13	Motor Wire	5.5 x 4C x 230cm	1
14	Main Housing		1
15	Nut with Flange	5/16"	38
16	Hex. Head Screw	5/16" x 1/2"	12
17	Collector		1
18	Hex. Head Screw	5/16"x 1	33
19	Washer	5/16" x18m/m	34
20	Hex. Head Screw	5/16" x 18mm	1
21	Reducing Support Frame		1
22	Switch Plate		1
23	Switch		1
24	Round Head Screw	3/16" x 3/4"	2
25	Power Cord		1
26	Upper Leg		3
27	Connecting Tub		3
28	Stiffener		3
29	Bottom Leg		3
30	2 Hole outlet		1
31	Hose Clamp	12-1/2"	4

12



No	Description	Specification	Q'ty
32	Hose	Dia. 12" x 30cm	2
33	Drum Lid	12"	2
34	Base		2
35	Caster	2"	8
36	Round Head Screw	3/16" x 3/8"	33
37	5 Way Inlet	13" x 4" x 5	1
38	Inlet Cap	4"	2
39	Chain		2
40	Hanger		2
41	Hex. Head Screw	1/4" x 1/2"	2
42	2 Hole Outlet (Main Housing).		1
43	Bag Clamp	9"	2
44	1 Micron Filter Bag	Dia.600 x 2600mm	2
45	Bag Clamp		4
46	Collector		2
47	Collecting Bag	Plastic	2
48	Collector Support Leg		6
49	Connecting Screw	1/4"	9
50	Wire Clamp		1
51	Round Head Screw	3/16" x 1/2"	2
52	Nut	3/16"	2
53	Open End Wrench	10 x 12mm	1
54	Hex. Socket Screw	6 x 10	2
55	Adjusted Board		1
56	Adjusted Board Spindle		1
57	Set Screw	M6 x 10	2
58	Wing Head Screw	M8 x 65m/m	1
59	Nut	5/16"	1
60	Swing Spindle		1
61	Flat Washer	5/16" x 18 x 2	1
62	Compression Spring	1.35 x 12 x 50	1
63	Hex Head Screw	5/16" x 3/4"	1
64	Copper Screw for Grounding	3/16" x 3/8"	2

